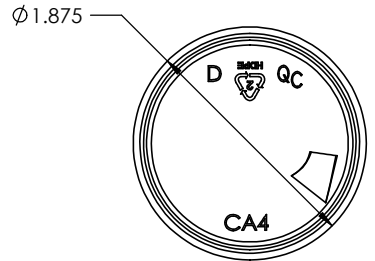
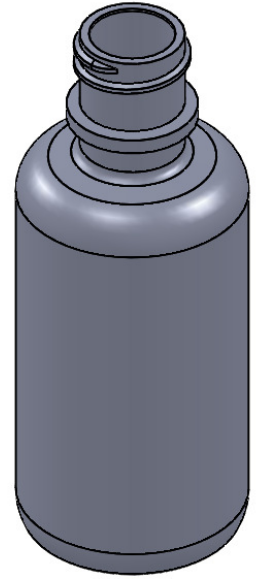
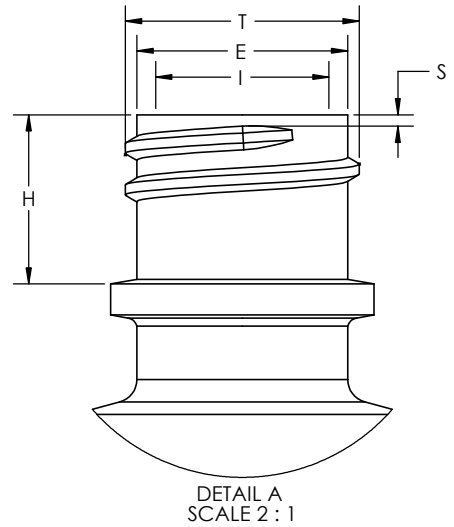
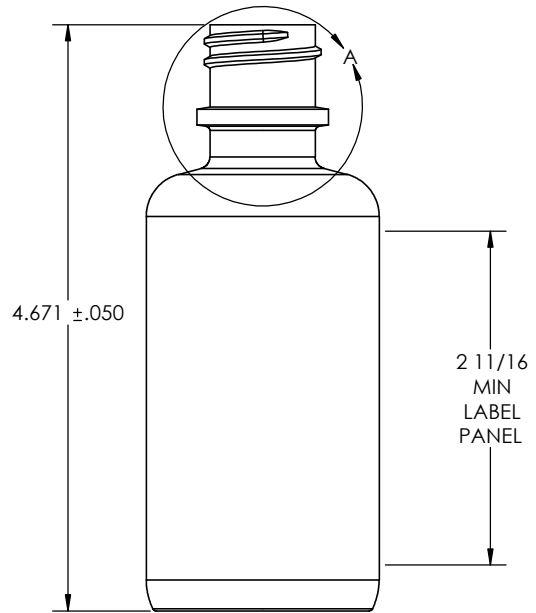


8 7 6 5 4 3 2 1



Neck Finish: L24SP410 Special H		<b>Disclaimer:</b> Alpha Packaging assumes no responsibility for form, fit and function of closures, accessories, and/or shelf life and compatability of intended contents with this bottle.				
© Alpha Packaging Inc.	<b>Min Thk</b>	<b>Color</b>	<b>Weight</b>	<b>Std Pack</b>	Revisions	
Notes:	.015	All Colors	15.5 Gms±1.5	290,Bulk	A 4.671 WAS 4.716, 26-AUG-19, JAZ	
MIN THK in Label Panel					SCALE: 1:1 Drawn By: SCT Date: 10/17/09	
Label Panel Dim for Ref only					4oz BOSTON ROUND 24-410 CT, HDPE, EBM	
Neck Dimension:				UNLESS OTHERWISE SPECIFIED		REV
T = .932 ± .008				TOLERANCES: DECIMAL ±.050		<b>A</b>
E = .848 ± .008				ANGULAR ±1°		
H = .670 ± .015				DIMENSIONS ARE IN INCHES		SIZE DWG. NO.
I = .516 MIN				APPROVED BY: CR		B 4BRC24410
S = .046 ± .015				Overflow Capacity: 150 cc ± 5		MATERIAL: HDPE SHEET 1 OF 1

8 7 6 5 4 3 2 1